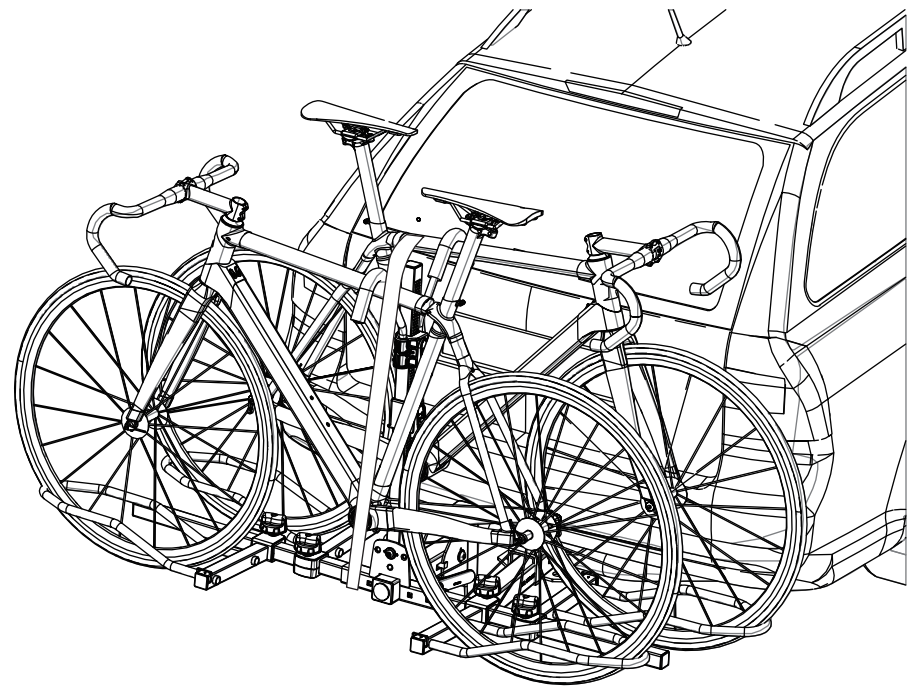




-  **LIFETIME WARRANTY**
-  **Bike to rack LOCK**
-  **Rack to car LOCK**
-  **TILT DOWN**
-  **FOLD UP**
-  **60KG**
-  **2**
-  **E-BIKE**

US PATENT No. 9,663,040 B1

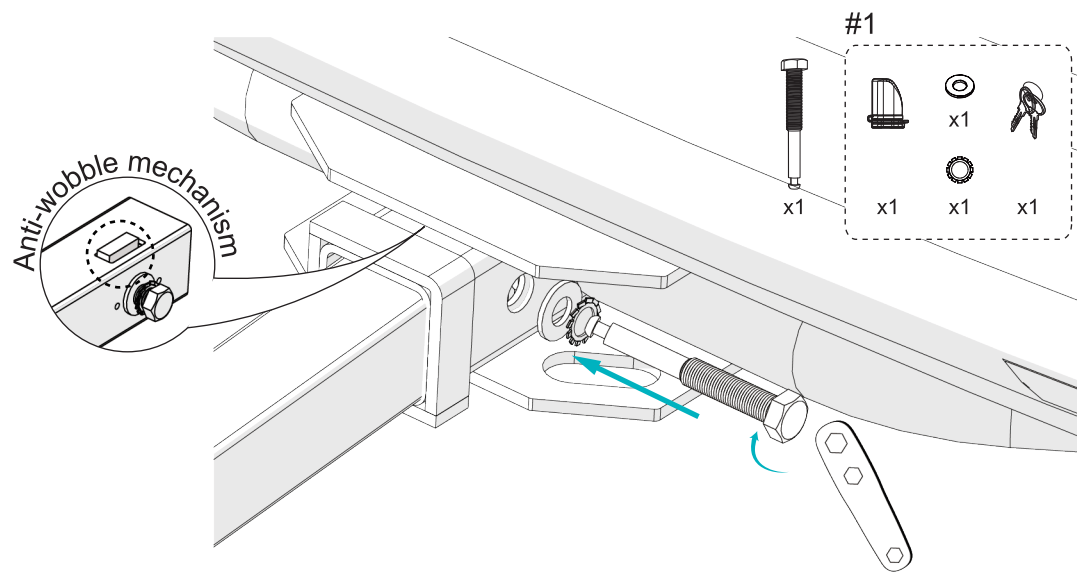


■ Thank you for purchasing BEARACK, please check all parts are included in the package. If there is anything missing or defective, please contact our authorized dealers.

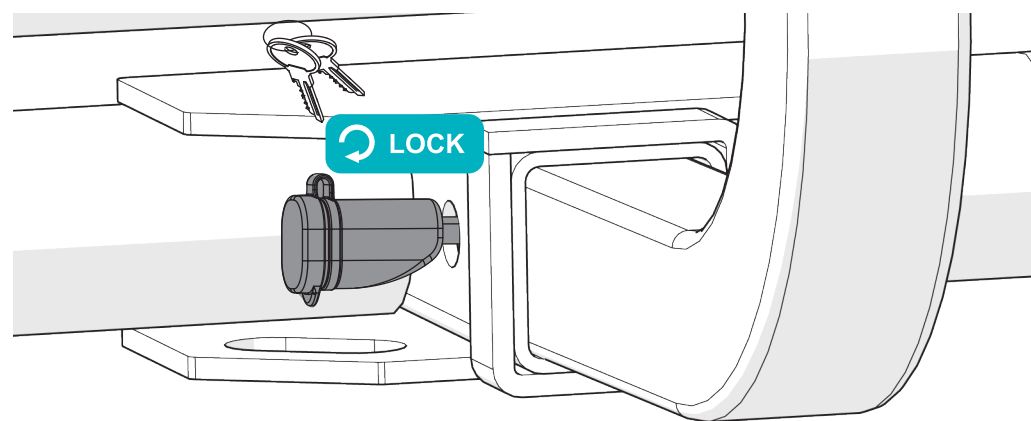
■ Slide the hitch tube (A) into 2" hitch receiver and secure it with Safety Threaded Bolt and kit #1 (External Tooth Lock Washer, Flat Washer and Lock) and lock it.

1

⊘ This hitch rack is not suitable for RV or Trailer use.

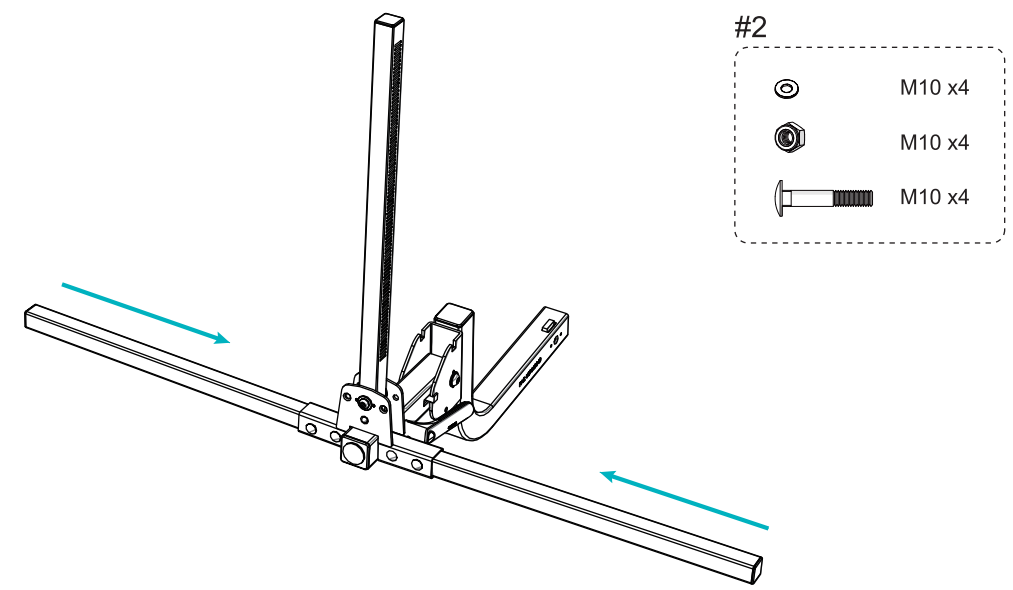


■ **Please Be Noted!**
Use wrench to tighten the safety threaded bolt from **RIGHT** side as the photo shown. The **Anti-wobble mechanism** is functioning when the safety threaded bolt is tightened.



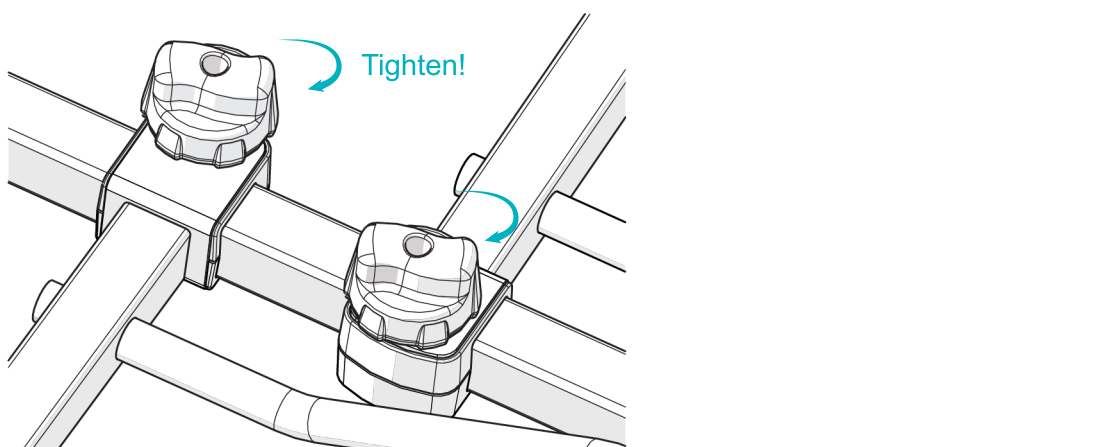
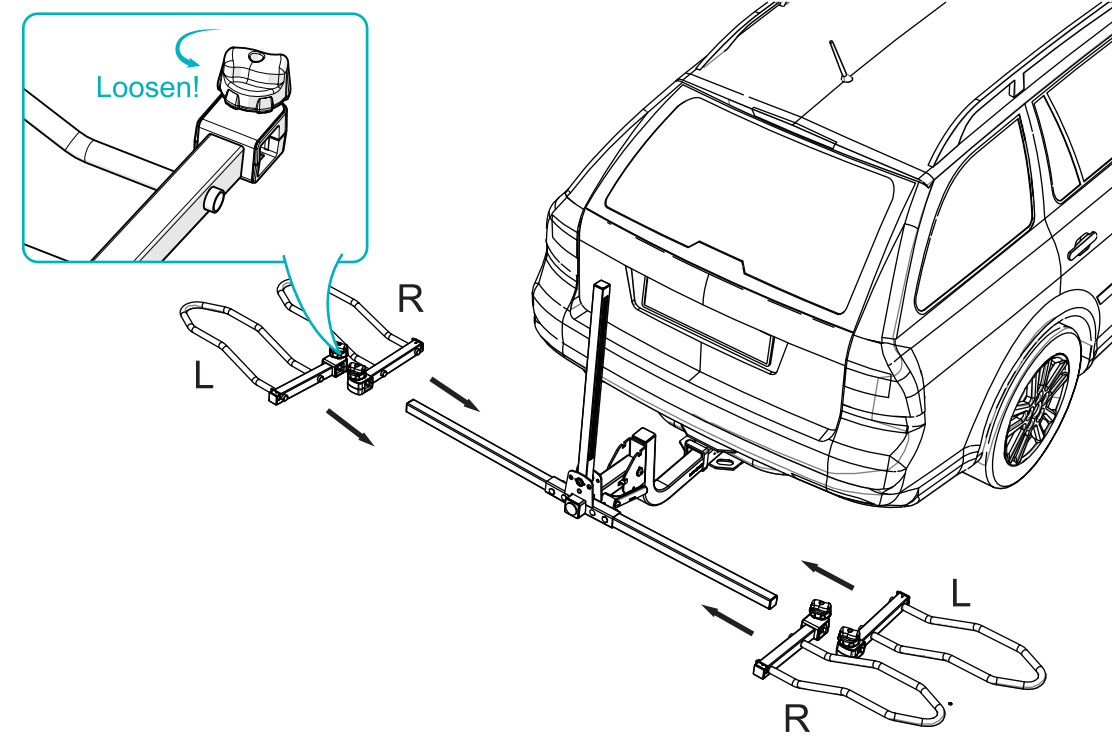
■ Install the lateral tubes (B) by using the kit #2 (Flat Washer, Carriage Bolt and Nut).

2



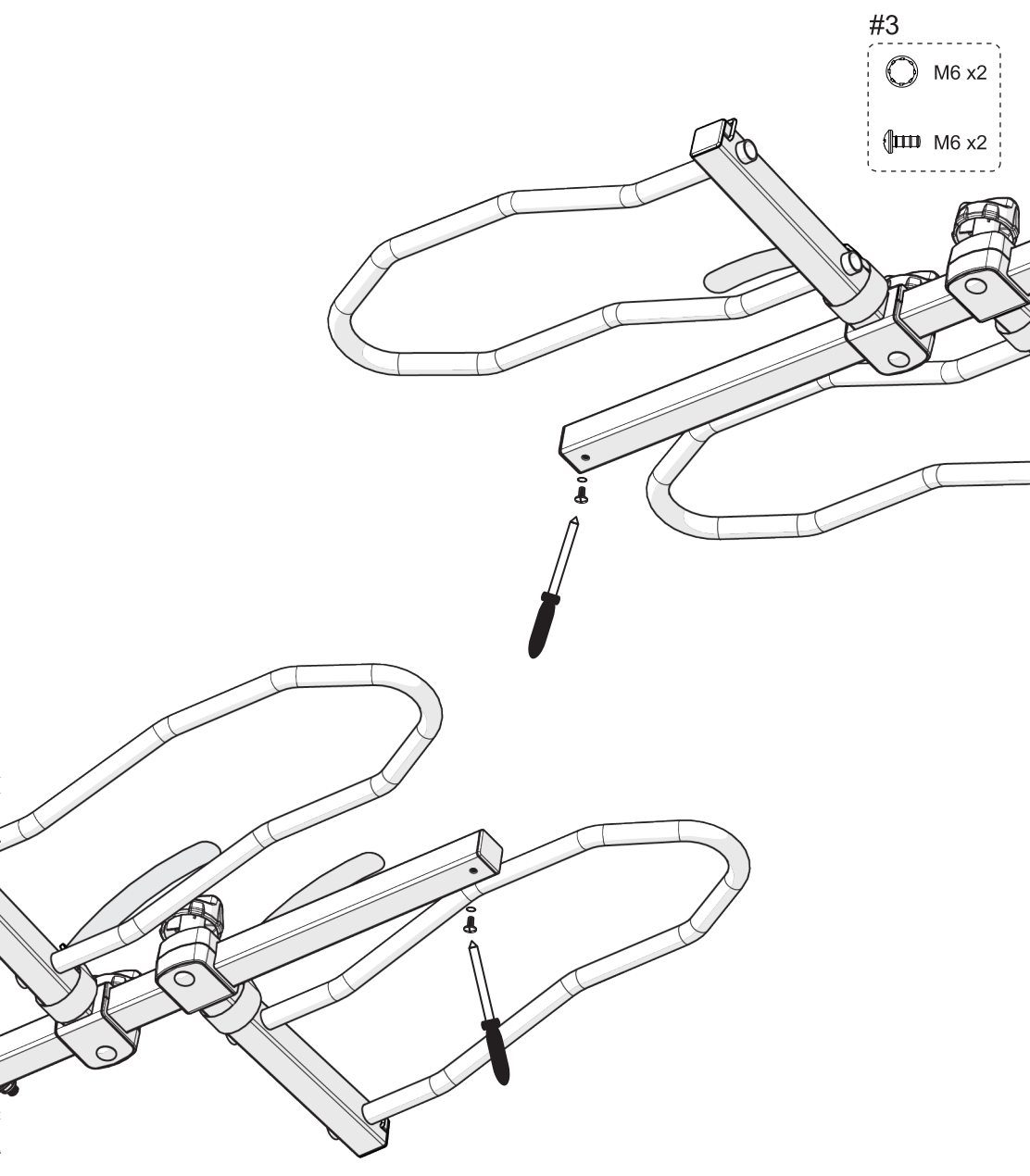
■ Loosen the knobs of wheel holders and slide them to the wheel tubes in sequence.

3-a



■ Use the kit #3 (Screw and Washer) on the end of the lateral tube to prevent the wheel holders to be slid out.

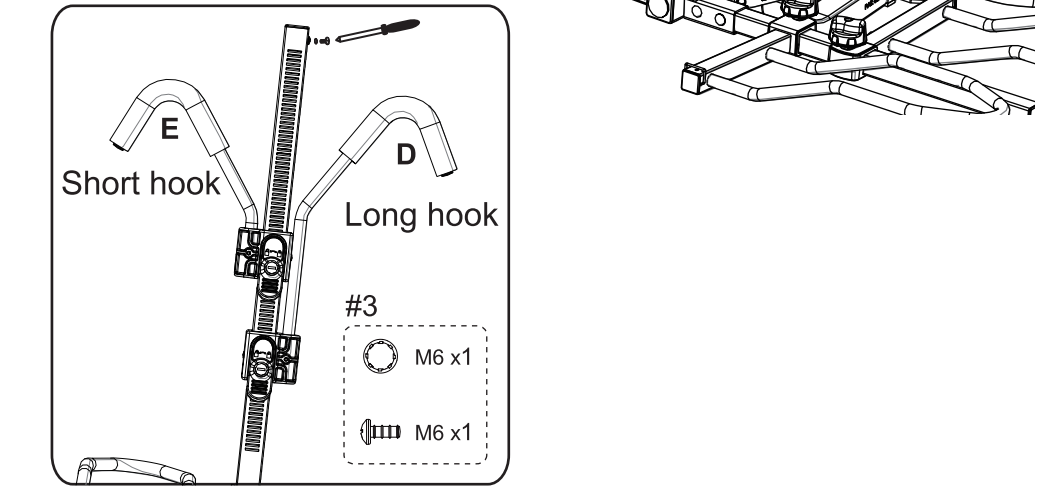
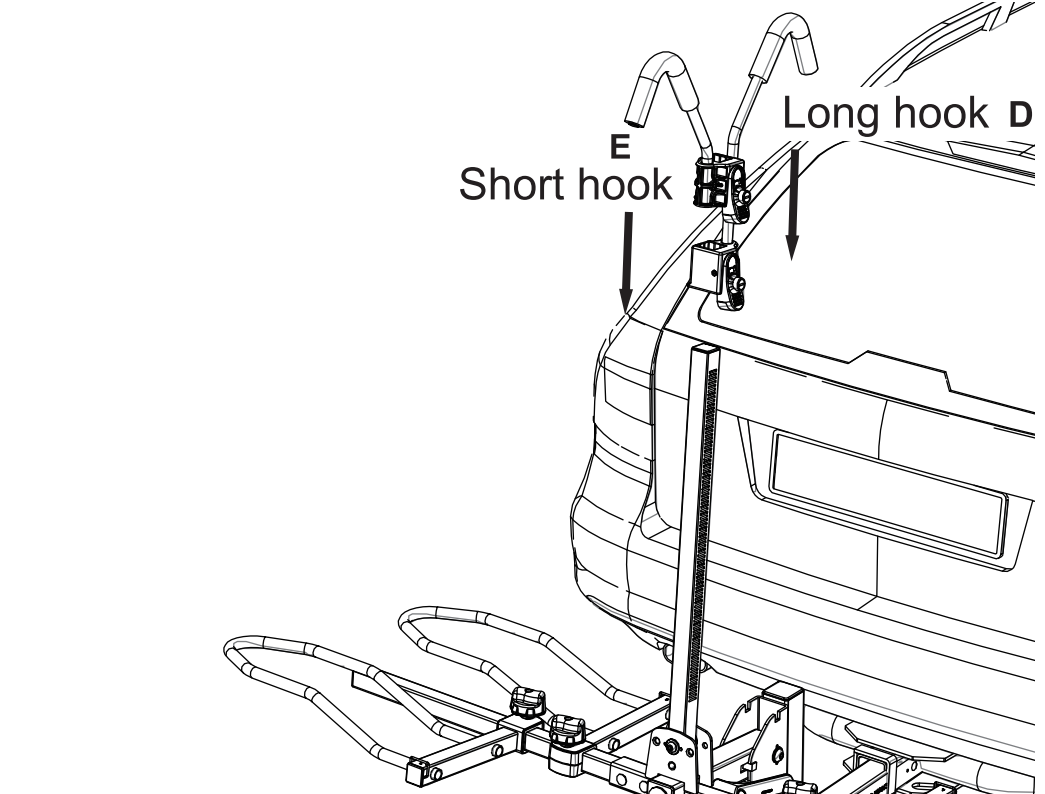
3-b



■ Press the button of the frame hooks and slide them onto the main post. Please note that the long hook must be installed first and that the hook points away from car. Then install the short one on top.

■ Use the kit#3 (Screw and Washer) on the end of the main post to prevent the hooks to be slid out.

4

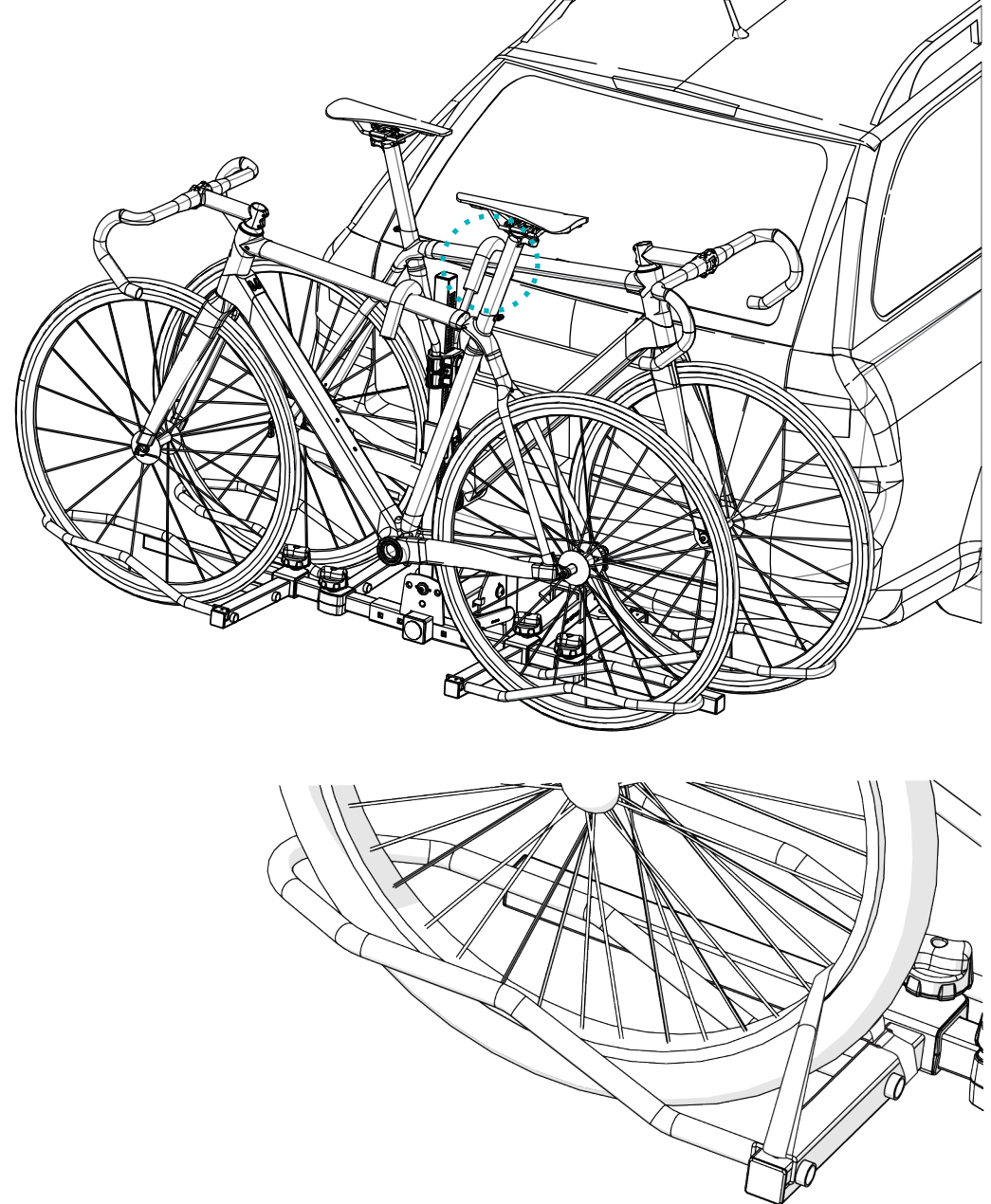


■ Press down the hook to secure bikes then lock them.

■ Secure the wheels with the velcro straps.

■ Large or heavy bicycles should be placed inside (close to the vehicle).

5



A x1




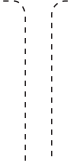
B x2

C (R x2 L x2)


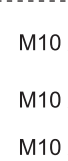

D x1

E x1



#1

-  x1
-  x1
-  x1
-  x1

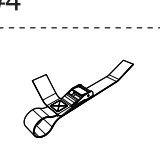
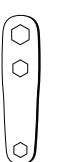

#2

-  M10 x4
-  M10 x4
-  M10 x4

#3

-  M6 x3
-  M6 x3

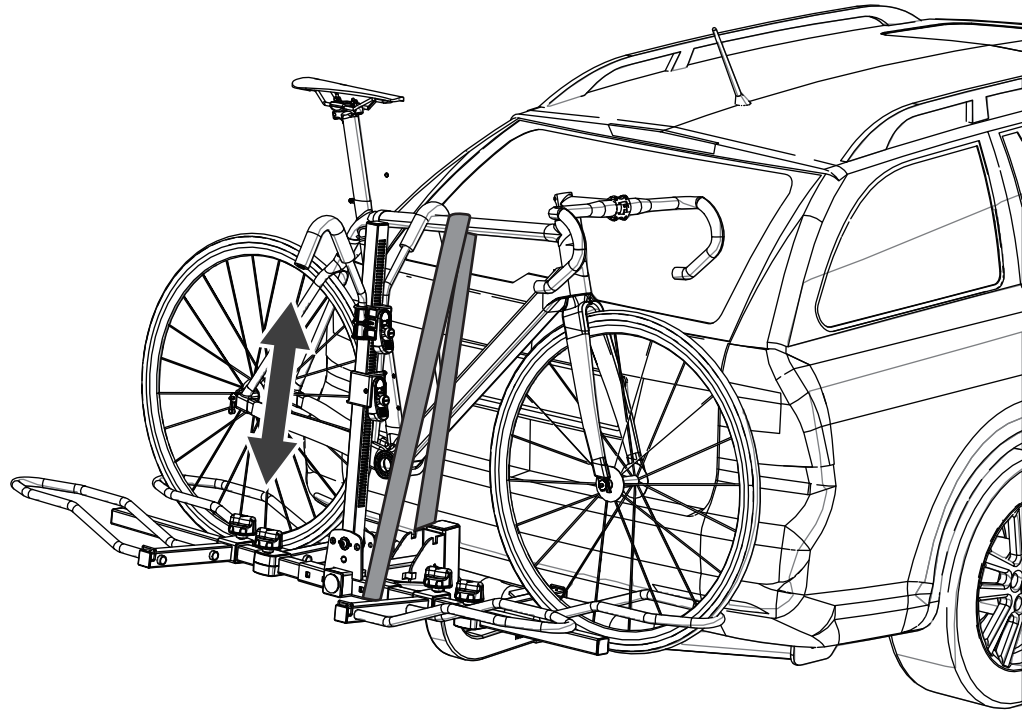
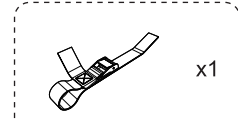
#4

-  x1
-  x1
-  x1

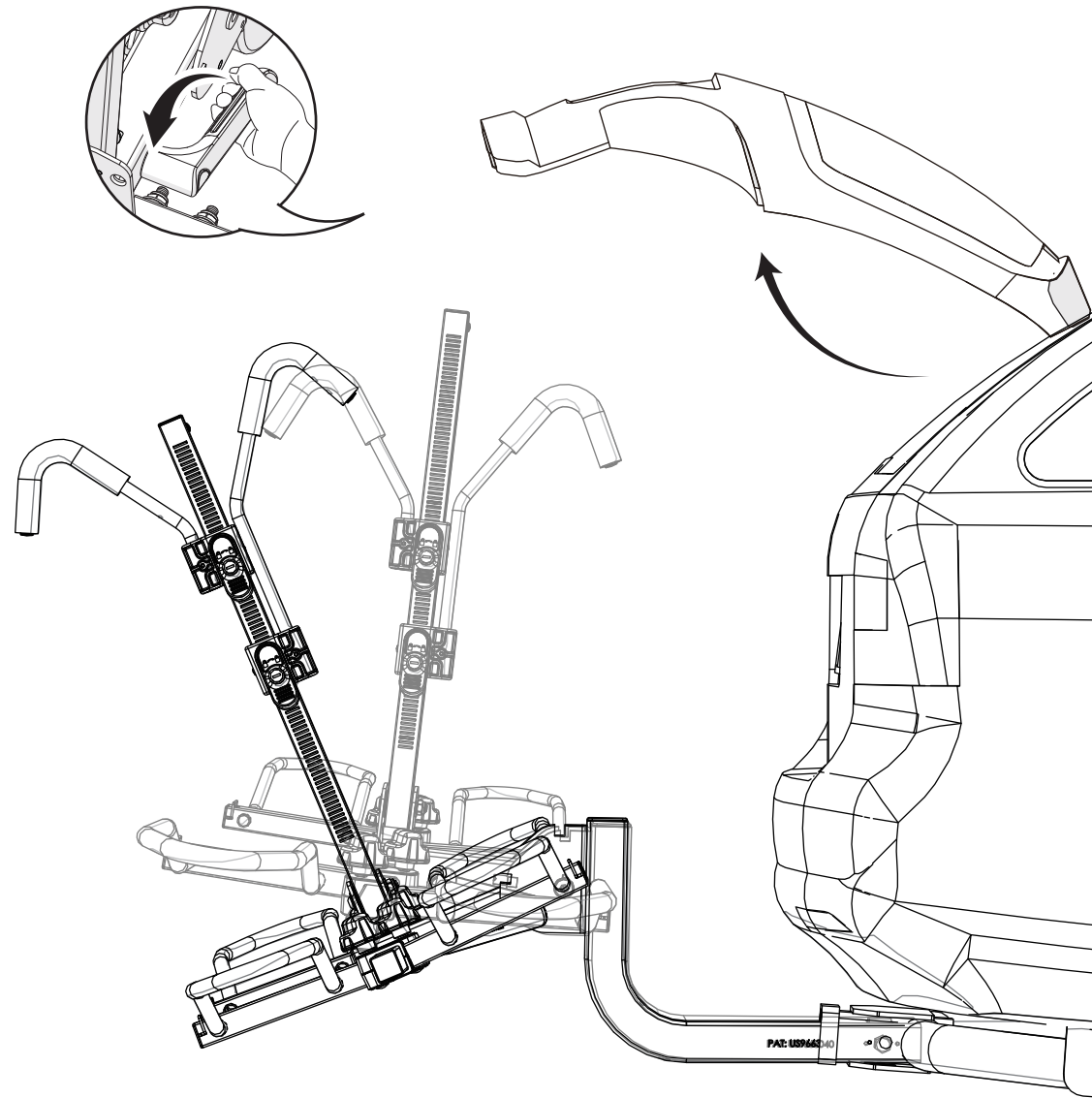
- Finally use the kit #4 (Safety Strap) to wrap around bikes to TRAILBLAZER 2. Then tighten the strap against metal buckle. The rest of strap can be organized by integrated Velcro strap.

6

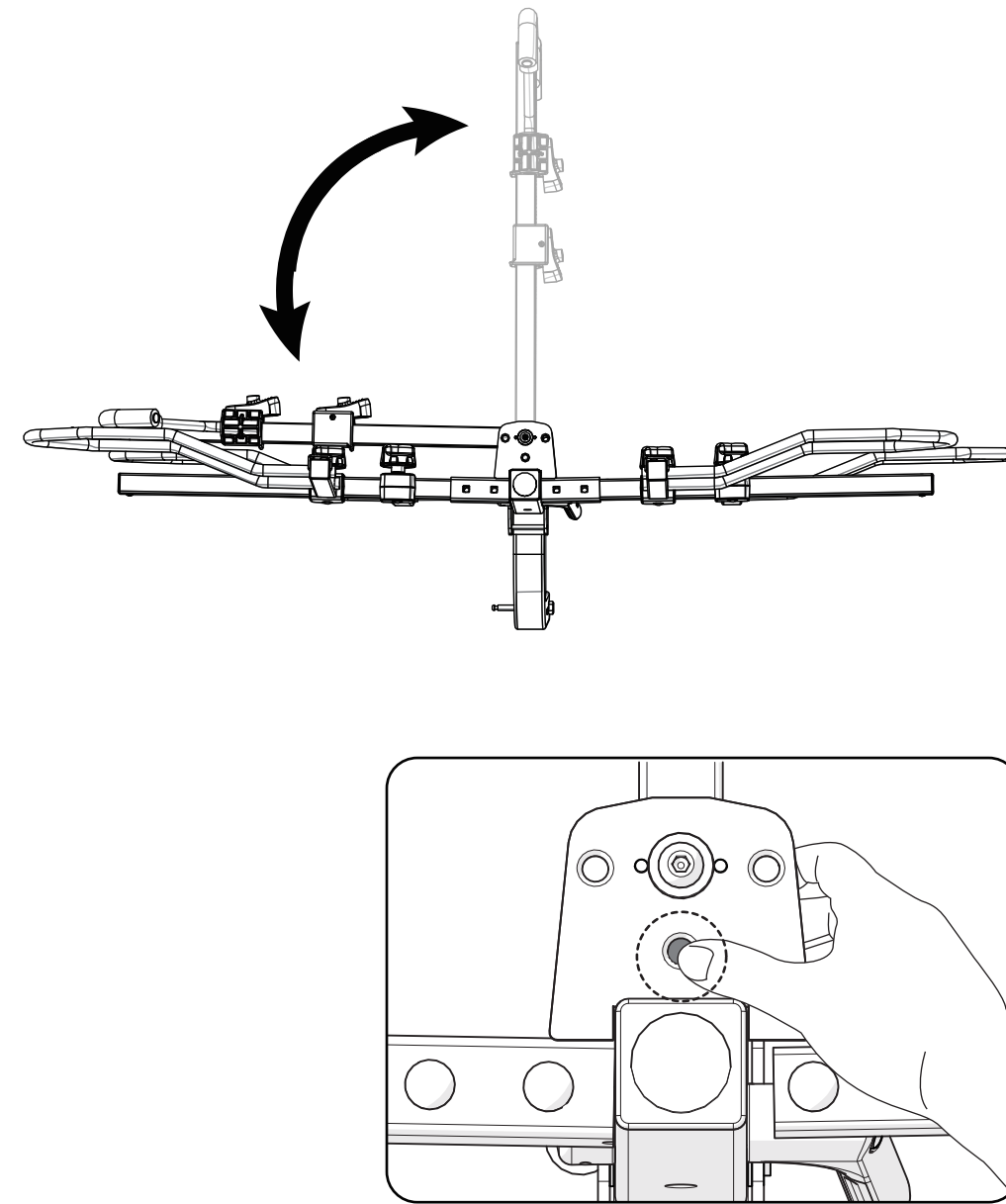
#4



- Tilting Function:** Pull the quick release lever, the carrier can be easily tilted down for rear access.



- The post can fold down laterally by releasing the push buttons.



General Notes for Rear Bike Carrier

- Every month, new cars are brought to market for new design and body. Although BEARACK's design team strive to make most of products universal to cars in the market. It is impossible for one single bikes carrier to fit all models of cars available on the market. Before you purchase the bike carrier, please check if the bike carrier fits your specific vehicle with BEARACK authorized dealer or distributor.
- Before installation, please read the instruction first then install the bike carrier according to the manual enclosed. Make sure all parts are present and in working condition prior to installation. Any missing or broken parts, please contact your BEARACK authorized dealer or distributor.
- Always keep this manual for future reference.

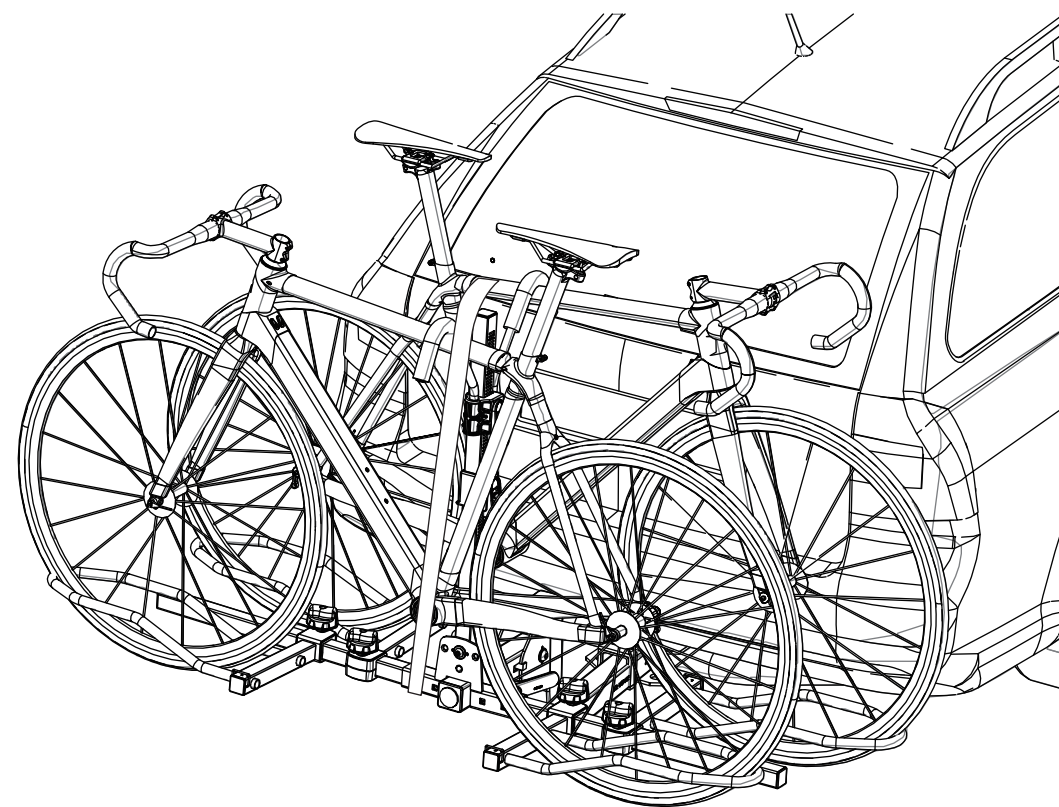
Warning during Fitting of the Bike Carrier

- When vehicles are equipped with power tailgate it is necessary to turn off the power when you install rear bike carrier. If this option is not available, do not use rear bike carrier.
- Prior to installation, please clean the receiver hitch thoroughly.
- It is necessary to change the installation method of bike carrier when the vehicle is equipped with spoiler or similar items. Please check with BEARACK authorized dealer or distributor if this occurs.
- Please obey the local traffic law when you drive with bike carrier.
- Please remove the bike carrier if you do not use and before car wash.
- If the operation of rear wiper interferes with the bike carrier, stop using rear or disable the power of rear wiper.

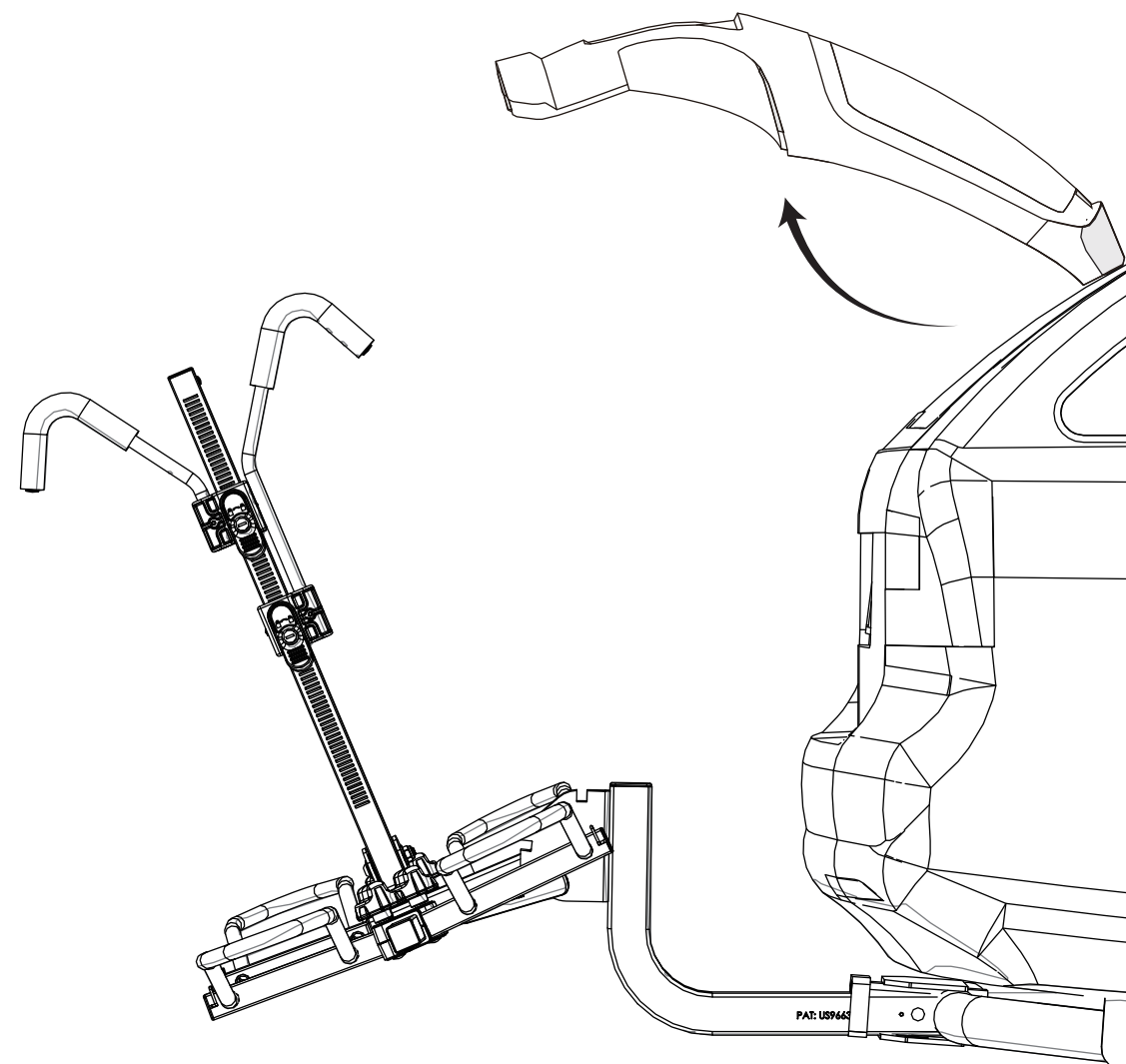
Warning during Mounting of the Bikes

- When you mount the bikes, please make sure that bikes do not contact the vehicle, especially the pedal. Use of protective foam pads may help.
- Before mounting bicycles, please remove all loose items. Ex., water bottles.
- Tires of bicycles have to be kept away from vehicle exhaust.
- Always obey the weight limit of each e-bicycle (Max. 30 kg/ 66 lbs per bike) and capacity of bicycles according to manufactures' recommendation. Please do not recumbent and electric bikes.
- Vehicles install with bike carrier/ bikes have different road behavior. Drive extreme cautiously during strong wind, sharp turns, and rough road. Drive slowly over the speed bump with the speed less than 10 km/h (6/ miles/h).
- Vehicles equipped with bike carrier/ bikes have extra width and length. In addition, please make sure the bikes are mounted in the center to avoid excessive protrusion.
- Some bikes like lady bikes require bike beam to mount.
- When vehicle is equipped with bike carrier, please check the installation of bike carrier and mounting of bikes for every 100 km during the journey. It is responsibility of the driver to ensure the safety of passengers and others!

- Installation complete.



- Warning!**
It is not recommended to tilt down the carrier when it carries bikes.



- Fold Function:** Pull up the handle to fold up when not carrying bikes. **Caution !** The handle needs to be placed back to secure the rack.

